

Источник питания на DIN-рейке AD1240C

Технические характеристики

По вопросам продаж и поддержки обращайтесь:

| | | | |
|-----------------------------|---------------------------------|--------------------------------|--------------------------|
| Алматы (7273)495-231 | Калининград (4012)72-03-81 | Омск (3812)21-46-40 | Сыктывкар (8212)25-95-17 |
| Ангарск (3955)60-70-56 | Калуга (4842)92-23-67 | Орел (4862)44-53-42 | Тамбов (4752)50-40-97 |
| Архангельск (8182)63-90-72 | Кемерово (3842)65-04-62 | Оренбург (3532)37-68-04 | Тверь (4822)63-31-35 |
| Астрахань (8512)99-46-04 | Киров (8332)68-02-04 | Пенза (8412)22-31-16 | Тольятти (8482)63-91-07 |
| Барнаул (3852)73-04-60 | Коломна (4966)23-41-49 | Петрозаводск (8142)55-98-37 | Томск (3822)98-41-53 |
| Белгород (4722)40-23-64 | Кострома (4942)77-07-48 | Псков (8112)59-10-37 | Тула (4872)33-79-87 |
| Благовещенск (4162)22-76-07 | Краснодар (861)203-40-90 | Пермь (342)205-81-47 | Тюмень (3452)66-21-18 |
| Брянск (4832)59-03-52 | Красноярск (391)204-63-61 | Ростов-на-Дону (863)308-18-15 | Ульяновск (8422)24-23-59 |
| Владивосток (423)249-28-31 | Курск (4712)77-13-04 | Рязань (4912)46-61-64 | Улан-Удэ (3012)59-97-51 |
| Владикавказ (8672)28-90-48 | Курган (3522)50-90-47 | Самара (846)206-03-16 | Уфа (347)229-48-12 |
| Владимир (4922)49-43-18 | Липецк (4742)52-20-81 | Саранск (8342)22-96-24 | Хабаровск (4212)92-98-04 |
| Волгоград (844)278-03-48 | Магнитогорск (3519)55-03-13 | Санкт-Петербург (812)309-46-40 | Чебоксары (8352)28-53-07 |
| Вологда (8172)26-41-59 | Москва (495)268-04-70 | Саратов (845)249-38-78 | Челябинск (351)202-03-61 |
| Воронеж (473)204-51-73 | Мурманск (8152)59-64-93 | Севастополь (8692)22-31-93 | Череповец (8202)49-02-64 |
| Екатеринбург (343)384-55-89 | Набережные Челны (8552)20-53-41 | Симферополь (3652)67-13-56 | Чита (3022)38-34-83 |
| Иваново (4932)77-34-06 | Нижний Новгород (831)429-08-12 | Смоленск (4812)29-41-54 | Якутск (4112)23-90-97 |
| Ижевск (3412)26-03-58 | Новокузнецк (3843)20-46-81 | Сочи (862)225-72-31 | Ярославль (4852)69-52-93 |
| Иркутск (395)279-98-46 | Ноябрьск (3496)41-32-12 | Ставрополь (8652)20-65-13 | |
| Казань (843)206-01-48 | Новосибирск (383)227-86-73 | Сургут (3462)77-98-35 | |
| Россия +7(495)268-04-70 | Киргизия +996(312)-96-26-47 | Казахстан +7(7172)727-132 | |

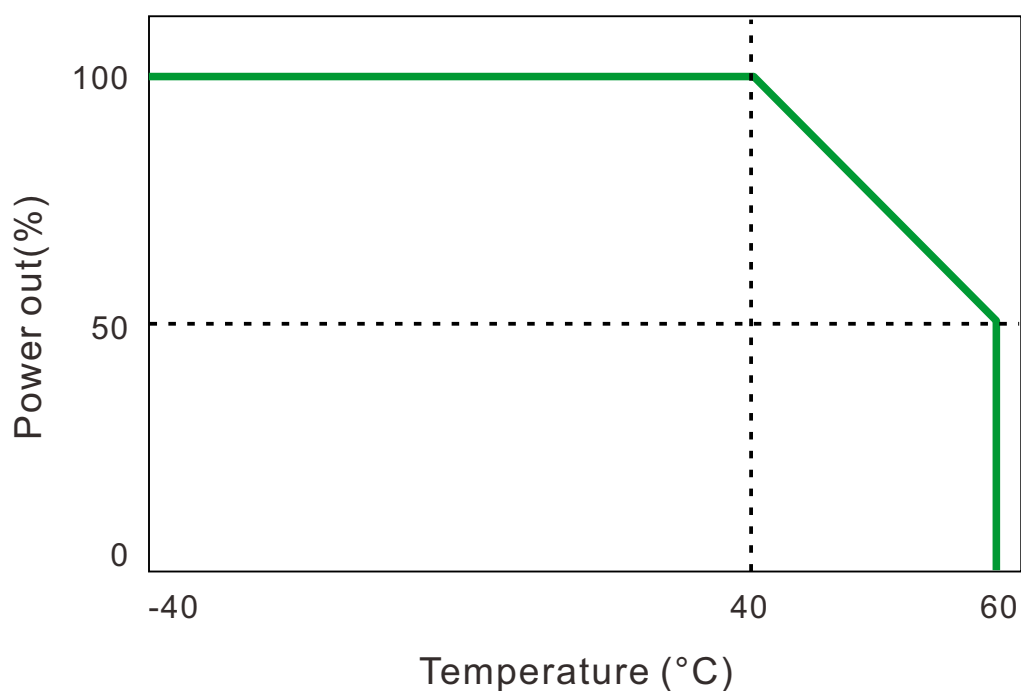
Specification

| General | |
|--------------------------------|--|
| Switching Frequency | 132kHz |
| Isolation Voltage | Input-Output 3000VAC/4242VDC |
| | Input-FG 1500VAC/2121VDC |
| | Output-FG 500VAC/ 710VDC |
| Isolation Resistance | 100MΩ when Input-Output @500VDC |
| Operating Temperature | -40°C~40°C ambient |
| Derating | 2.5% per degree from 40°C to 60°C |
| Storage Temperature | -40°C to +85°C |
| Relative Humidity | 5%~95% RH, Non-condensing. |
| Temperature Coefficient | ±0.04% of output voltage per °C |
| MTBF | 60,000hrs Min. Per MIL-HDBK-217F, 25°C GB |
| Attitude During Operation | 2000m |
| Installation position | Vertical |
| Vibration | Random Vibration, 10~500Hz. 3 axise |
| Input | |
| Input Voltage | 100~240VAC/120~370VDC |
| Input Frequency | 47~63Hz |
| Inrush Current (cold start) | 22A/115VAC 44A/230VAC |
| Rated Input Current | 5A Max. @Vi=100~240VAC |
| Leakage Current | Input-output 0.25mA, Input-FG 3.5mA, Vi=250VAC |
| Output | |
| Output Voltage accuracy | ±1% |
| Minimun Load | 0% |
| Line Regulation | ±1%, measuring from low line to high line rated load |
| Load Regulation | ±1%, measuring from 20% to 100% of rated load 230VAC input |
| Voltage Trim Range | ±10% |
| Rated Continuous Loading | 20A@12VDC, 10A@24VDC, 5A@48VDC |
| Hold Up Time | 40mS Min., Full load@230VAC. |
| Turn On Time | 1200mS |
| Rise Time | 15mS |
| Fall Time | 30mS |

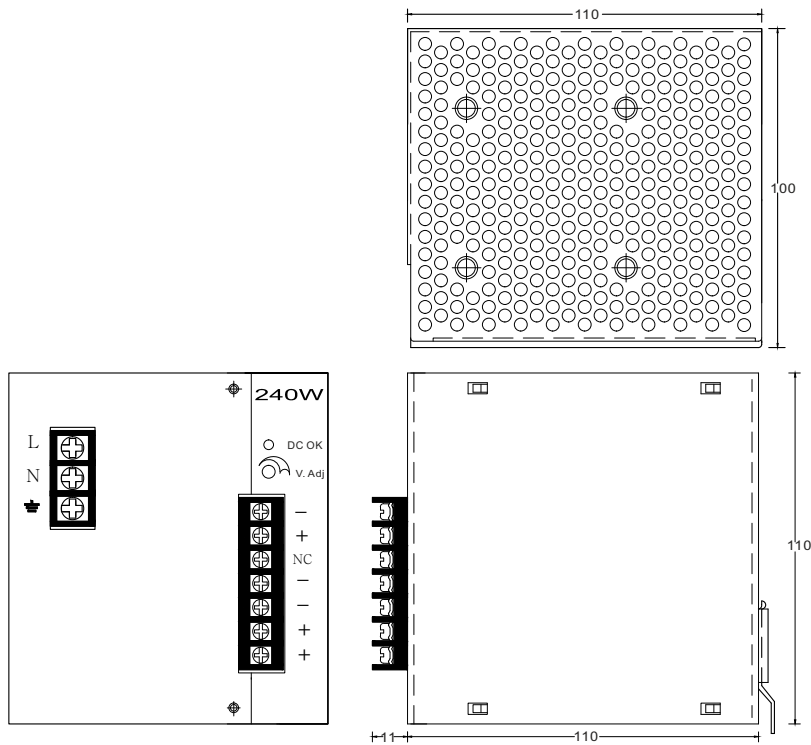
Specification

| Output | | |
|--------------------------------|-------------------|--|
| Transient Response | Recovery Time | 2mS, Load change 50% to 100% |
| | Voltage Deviation | 5%, Load change 50% to 100% |
| Efficiency | | See model list, measuring at rated load and 230VAC input |
| Ripple and Noise | | See model list, measuring by using a 0.1 μ F/630V metalize capacitor and a 47 μ F electrolytic capacitor parallel on the test point, at rated load and 230VAC input. |
| Protection | | |
| Input Fuse | | 5A/250V |
| Internal Surge Load Protection | | Varistor, IEC6100-4-5 |
| Degree of Protection | | IP20 |
| Short Circuit Protection | | Autorecovery |
| Over Voltage Protection | | Autorecovery |
| Rated Over Load Protection | | 130~150% |
| Overload protection | | Power limited |

Derating Curve



Mechanical Details

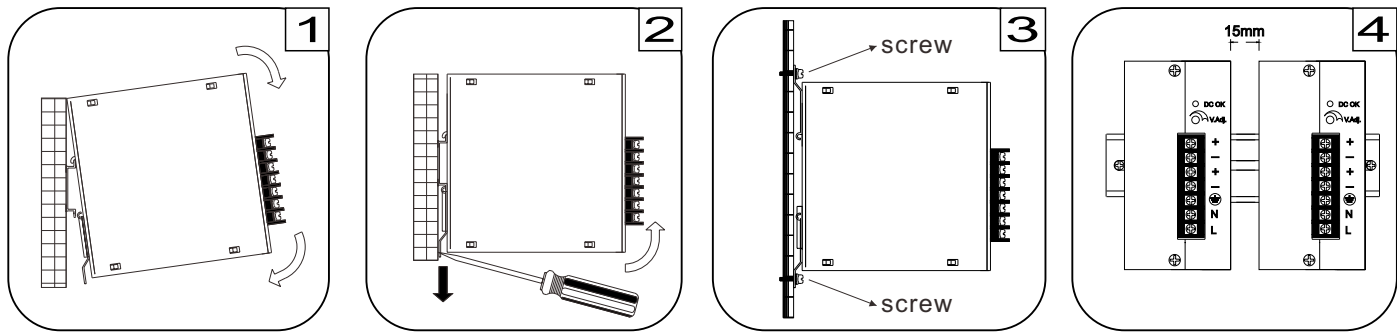


| | | |
|---------------|------------------------|----------|
| Case No. | AD240 | |
| Dimensions | 121(D)x100(W)x110(H)mm | |
| Case Material | Metal | |
| Weight | AD1240-12C | 1222 g |
| | AD1240-24C | 1210.6 g |
| | AD1240-48C | 1179.2 g |

Terminal Allocation

| Designation | Description |
|-------------|------------------------|
| DC OK | Green LED Indicator |
| V Adj. | O/P Voltage adjustment |
| + | Output Positive |
| - | Output Negative |
| NC | No Connect |
| ⏏ | Earth |
| N | Input Neutral |
| L | Input Line |

Installation instruction



Place the top of the AD1240C rail mount over the top of the DIN rail. Tilt the bottom of the AD1240C toward the DIN rail until it snaps into place.

To remove the AD1240C from the DIN rail, use a flathead screwdriver to pull down the bottom of the rail mount and tilt it away from the DIN rail.

To install AD1240C on wall/plate, loosening screws on mounting bracket and pull both brackets out first. Then re-screwing the two brackets with screws onto wall/plate.

The left housing of AD1240C is designed as a heat sink, please keeping a minimum distance of 15mm from each other.

По вопросам продаж и поддержки обращайтесь:

Алматы (7273)495-231
Ангарск (3955)60-70-56
Архангельск (8182)63-90-72
Астрахань (8512)99-46-04
Барнаул (3852)73-04-60
Белгород (4722)40-23-64
Благовещенск (4162)22-76-07
Брянск (4832)59-03-52
Владивосток (423)249-28-31
Владикавказ (8672)28-90-48
Владимир (4922)49-43-18
Волгоград (844)278-03-48
Вологда (8172)26-41-59
Воронеж (473)204-51-73
Екатеринбург (343)384-55-89
Иваново (4932)77-34-06
Ижевск (3412)26-03-58
Иркутск (395)279-98-46
Казань (843)206-01-48
Россия +7(495)268-04-70

Калининград (4012)72-03-81
Калуга (4842)92-23-67
Кемерово (3842)65-04-62
Киров (8332)68-02-04
Коломна (4966)23-41-49
Кострома (4942)77-07-48
Краснодар (861)203-40-90
Красноярск (391)204-63-61
Курск (4712)77-13-04
Курган (3522)50-90-47
Липецк (4742)52-20-81
Магнитогорск (3519)55-03-13
Москва (495)268-04-70
Мурманск (8152)59-64-93
Набережные Челны (8552)20-53-41
Нижний Новгород (831)429-08-12
Новокузнецк (3843)20-46-81
Ноябрьск (3496)41-32-12
Новосибирск (383)227-86-73
Киргизия +996(312)-96-26-47

Омск (3812)21-46-40
Орел (4862)44-53-42
Оренбург (3532)37-68-04
Пенза (8412)22-31-16
Петрозаводск (8142)55-98-37
Псков (8112)59-10-37
Пермь (342)205-81-47
Ростов-на-Дону (863)308-18-15
Рязань (4912)46-61-64
Самара (846)206-03-16
Саранск (8342)22-96-24
Санкт-Петербург (812)309-46-40
Саратов (845)249-38-78
Севастополь (8692)22-31-93
Симферополь (3652)67-13-56
Смоленск (4812)29-41-54
Сочи (862)225-72-31
Ставрополь (8652)20-65-13
Сургут (3462)77-98-35
Казахстан +7(7172)727-132

Сыктывкар (8212)25-95-17
Тамбов (4752)50-40-97
Тверь (4822)63-31-35
Тольятти (8482)63-91-07
Томск (3822)98-41-53
Тула (4872)33-79-87
Тюмень (3452)66-21-18
Ульяновск (8422)24-23-59
Улан-Удэ (3012)59-97-51
Уфа (347)229-48-12
Хабаровск (4212)92-98-04
Чебоксары (8352)28-53-07
Челябинск (351)202-03-61
Череповец (8202)49-02-64
Чита (3022)38-34-83
Якутск (4112)23-90-97
Ярославль (4852)69-52-93