

Источник питания на DIN-рейке ADS100F

Технические характеристики

По вопросам продаж и поддержки обращайтесь:

| | | | |
|-----------------------------|---------------------------------|--------------------------------|--------------------------|
| Алматы (7273)495-231 | Калининград (4012)72-03-81 | Омск (3812)21-46-40 | Сыктывкар (8212)25-95-17 |
| Ангарск (3955)60-70-56 | Калуга (4842)92-23-67 | Орел (4862)44-53-42 | Тамбов (4752)50-40-97 |
| Архангельск (8182)63-90-72 | Кемерово (3842)65-04-62 | Оренбург (3532)37-68-04 | Тверь (4822)63-31-35 |
| Астрахань (8512)99-46-04 | Киров (8332)68-02-04 | Пенза (8412)22-31-16 | Тольятти (8482)63-91-07 |
| Барнаул (3852)73-04-60 | Коломна (4966)23-41-49 | Петрозаводск (8142)55-98-37 | Томск (3822)98-41-53 |
| Белгород (4722)40-23-64 | Кострома (4942)77-07-48 | Псков (8112)59-10-37 | Тула (4872)33-79-87 |
| Благовещенск (4162)22-76-07 | Краснодар (861)203-40-90 | Пермь (342)205-81-47 | Тюмень (3452)66-21-18 |
| Брянск (4832)59-03-52 | Красноярск (391)204-63-61 | Ростов-на-Дону (863)308-18-15 | Ульяновск (8422)24-23-59 |
| Владивосток (423)249-28-31 | Курск (4712)77-13-04 | Рязань (4912)46-61-64 | Улан-Удэ (3012)59-97-51 |
| Владикавказ (8672)28-90-48 | Курган (3522)50-90-47 | Самара (846)206-03-16 | Уфа (347)229-48-12 |
| Владимир (4922)49-43-18 | Липецк (4742)52-20-81 | Саранск (8342)22-96-24 | Хабаровск (4212)92-98-04 |
| Волгоград (844)278-03-48 | Магнитогорск (3519)55-03-13 | Санкт-Петербург (812)309-46-40 | Чебоксары (8352)28-53-07 |
| Вологда (8172)26-41-59 | Москва (495)268-04-70 | Саратов (845)249-38-78 | Челябинск (351)202-03-61 |
| Воронеж (473)204-51-73 | Мурманск (8152)59-64-93 | Севастополь (8692)22-31-93 | Череповец (8202)49-02-64 |
| Екатеринбург (343)384-55-89 | Набережные Челны (8552)20-53-41 | Симферополь (3652)67-13-56 | Чита (3022)38-34-83 |
| Иваново (4932)77-34-06 | Нижний Новгород (831)429-08-12 | Смоленск (4812)29-41-54 | Якутск (4112)23-90-97 |
| Ижевск (3412)26-03-58 | Новокузнецк (3843)20-46-81 | Сочи (862)225-72-31 | Ярославль (4852)69-52-93 |
| Иркутск (395)279-98-46 | Ноябрьск (3496)41-32-12 | Ставрополь (8652)20-65-13 | |
| Казань (843)206-01-48 | Новосибирск (383)227-86-73 | Сургут (3462)77-98-35 | |
| Россия +7(495)268-04-70 | Киргизия +996(312)-96-26-47 | Казахстан +7(7172)727-132 | |

ADS100F Series

100Watts, Single Output



T Version

E Version

Dimensions: 100(D)x48.5(W)x107(H) mm

Features

- High power density
- Universal input range
- Convection cooled
- RoHS compliance
- 3 year warranty
- Great reliability
- DIN Rail / Wall bracket mounting solution
- Optional alarm signal / Redundant function
- Over voltage protection
- Overload protection
- Short circuit protection

Safety Standards



EN 60950 (Marking)

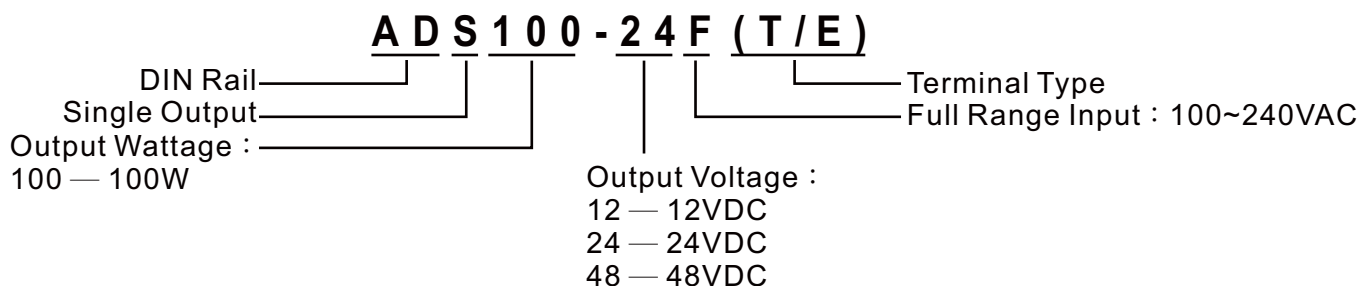
EMC Standards

| | |
|--------------|---------|
| EN55011 | Class B |
| EN55022 | Class B |
| EN61000-4-2 | Level 3 |
| EN61000-4-3 | Level 3 |
| EN61000-4-4 | Level 3 |
| EN61000-4-5 | Level 3 |
| EN61000-4-6 | Level 3 |
| EN61000-4-8 | Level 3 |
| EN61000-4-11 | Level 3 |

Model List

| Model | O/P Voltage Adjustment | Min. Loading | Rated | Max. | Ripple Noise | Efficiency | Over Voltage Protection |
|-----------------|------------------------|--------------|-------|------|--------------|------------|-------------------------|
| ADS100-12F(T/E) | +12VDC±10% | 0A | 8.0A | 8.0A | 100mVp-p | 82% | 15~17VDC |
| ADS100-24F(T/E) | +24VDC±10% | 0A | 4.0A | 4.0A | 150mVp-p | 85% | 27~30VDC |
| ADS100-48F(T/E) | +48VDC±10% | 0A | 2.0A | 2.0A | 250mVp-p | 86% | 52~57VDC |

Model Encoding



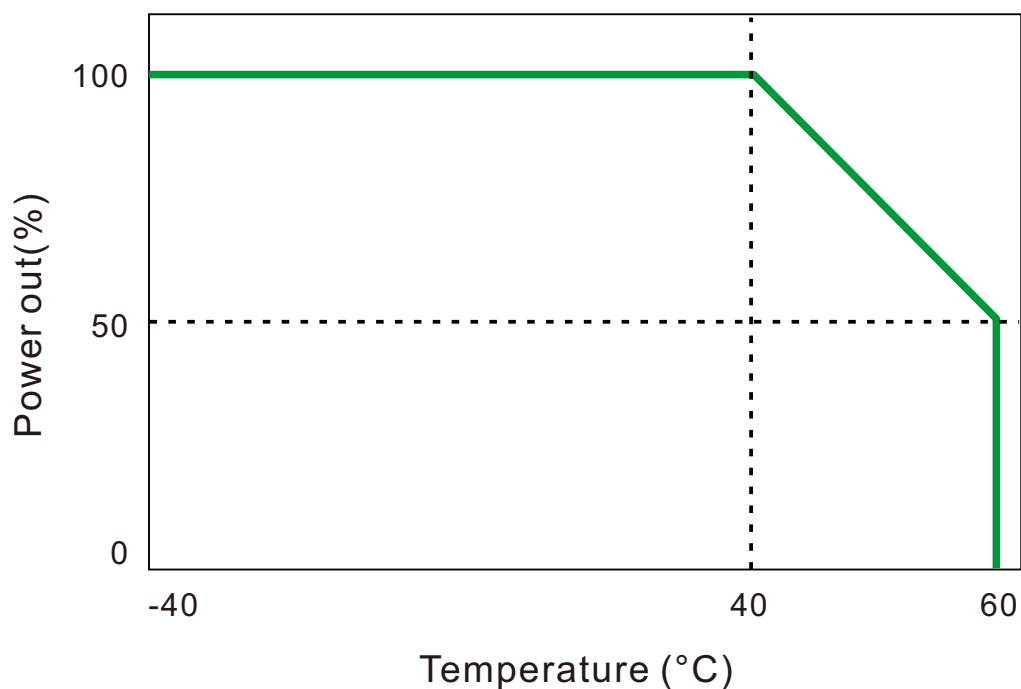
Specification

| General | |
|--------------------------------|--|
| Switching Frequency | 85kHz |
| Isolation Voltage | Input-Output 3000VAC/4242VDC |
| | Input-FG 1500VAC/2121VDC |
| | Output-FG 500VAC/ 710VDC |
| Isolation Resistance | 100MΩ when Input-Output @500VDC |
| Operating Temperature | -40°C~50°C ambient |
| Derating | 2.5% per degree from 50°C to 70°C |
| Storage Temperature | -40°C to +85°C |
| Relative Humidity | 5%~95% RH, Non-condensing. |
| Temperature Coefficient | ±0.04% of output voltage per °C |
| MTBF | 60,000hrs Min. Per MIL-HDBK-217F, 25°C GB |
| Attitude During Operation | 2000m |
| Installation position | Vertical |
| Vibration | Random Vibration, 10~500Hz. 3 axis |
| Input | |
| Input Voltage | 100~240VAC/120~370VDC |
| Input Frequency | 47~63Hz |
| Inrush Current (cold start) | 22A/115VAC 44A/230VAC |
| Rated Input Current | 1.5A Max., Vi=100~240VAC |
| Leakage Current | Input-output 0.25mA, Input-FG 3.5mA, Vi=250VAC |
| Output | |
| Output Voltage accuracy | ±1% |
| Minimum Load | 0% |
| Line Regulation | ±1%, measuring from low line to high line rated load |
| Load Regulation | ±1%, measuring from 20% to 100% of rated load 230VAC input |
| Voltage Trim Range | ±10% |
| Rated Continuous Loading | 8A@12VDC, 4A@24VDC, 2A@48VDC |
| Hold Up Time | 20mS Min., Full load@230VAC. |
| Turn On Time | 1300mS |
| Rise Time | 13mS |
| Fall Time | 25mS |

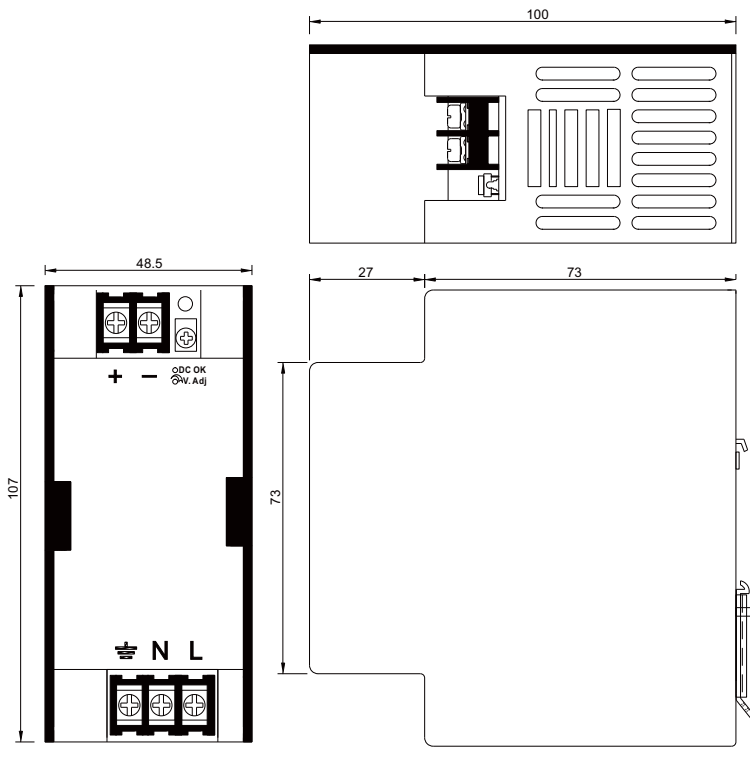
Specification

| Output | | |
|--------------------------------|-------------------|--|
| Transient Response | Recovery Time | 2mS, Load change 50% to 100% |
| | Voltage Deviation | 5%, Load change 50% to 100% |
| Efficiency | | See model list, measuring at rated load and 230VAC input |
| Ripple and Noise | | See model list, measuring by using a 0.1 μ F/630V metalize capacitor and a 47 μ F electrolytic capacitor parallel on the test point, at rated load and 230VAC input. |
| Protection | | |
| Input Fuse | | 3.15A/250V |
| Internal Surge Load Protection | | Varistor, IEC6100-4-5 |
| Degree of Protection | | IP20 |
| Short Circuit Protection | | Autorecovery |
| Over Voltage Protection | | Autorecovery |
| Rated Over Load Protection | | 160~200% |
| Overload protection | | Power limited |

Derating Curve



Mechanical Details

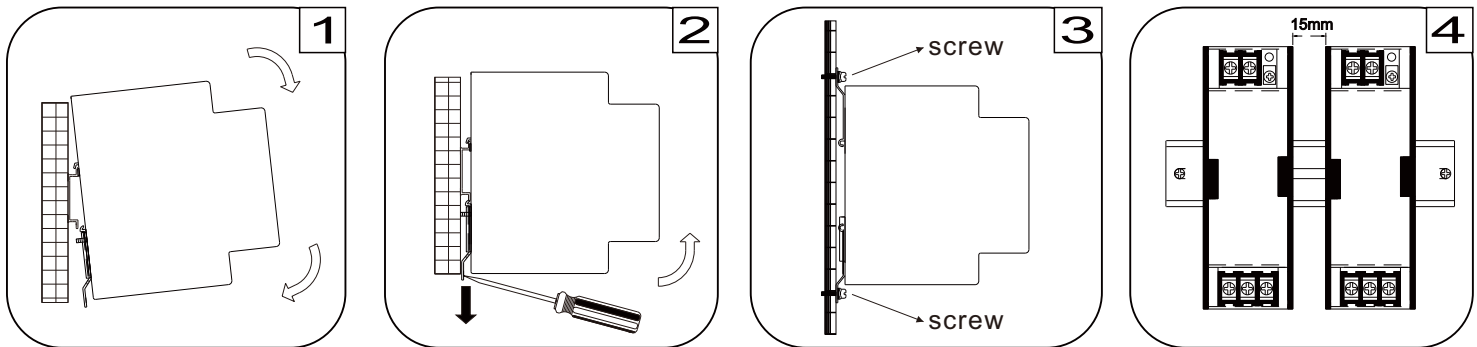


| | |
|----------------------|-------------------------|
| Dimensions | 100(D)x48.5(W)x107(H)mm |
| Case Material | 1.2mm Aluminum&Plastic |

Terminal Allocation

| Designation | Description |
|-------------|------------------------|
| DC OK | Green LED Indicator |
| V Adj. | O/P Voltage adjustment |
| + | Output Positive |
| - | Output Negative |
| ⊕ | Earth |
| N | Input Neutral |
| L | Input Line |

Installation instruction



1 Place the top of the ADS100F rail mount over the top of the DIN rail. Tilt the bottom of the ADS100F toward the DIN rail until it snaps into place.

2 To remove the ADS100F from the DIN rail, use a flathead screwdriver to pull down the bottom of the rail mount and tilt it away from the DIN rail.

3 To install ADS100F on wall/plate, pulling both mounting brackets out first. Then screwing the two brackets with screws onto wall/plate.

4 The vents of housing is designed for dissipating heat, please keeping a minimum distance of 15mm from each other.

По вопросам продаж и поддержки обращайтесь:

| | | | |
|-----------------------------|---------------------------------|--------------------------------|--------------------------|
| Алматы (7273)495-231 | Калининград (4012)72-03-81 | Омск (3812)21-46-40 | Сыктывкар (8212)25-95-17 |
| Ангарск (3955)60-70-56 | Калуга (4842)92-23-67 | Орел (4862)44-53-42 | Тамбов (4752)50-40-97 |
| Архангельск (8182)63-90-72 | Кемерово (3842)65-04-62 | Оренбург (3532)37-68-04 | Тверь (4822)63-31-35 |
| Астрахань (8512)99-46-04 | Киров (8332)68-02-04 | Пенза (8412)22-31-16 | Тольятти (8482)63-91-07 |
| Барнаул (3852)73-04-60 | Коломна (4966)23-41-49 | Петрозаводск (8142)55-98-37 | Томск (3822)98-41-53 |
| Белгород (4722)40-23-64 | Кострома (4942)77-07-48 | Псков (8112)59-10-37 | Тула (4872)33-79-87 |
| Благовещенск (4162)22-76-07 | Краснодар (861)203-40-90 | Пермь (342)205-81-47 | Тюмень (3452)66-21-18 |
| Брянск (4832)59-03-52 | Красноярск (391)204-63-61 | Ростов-на-Дону (863)308-18-15 | Ульяновск (8422)24-23-59 |
| Владивосток (423)249-28-31 | Курск (4712)77-13-04 | Рязань (4912)46-61-64 | Улан-Удэ (3012)59-97-51 |
| Владикавказ (8672)28-90-48 | Курган (3522)50-90-47 | Самара (846)206-03-16 | Уфа (347)229-48-12 |
| Владимир (4922)49-43-18 | Липецк (4742)52-20-81 | Саранск (8342)22-96-24 | Хабаровск (4212)92-98-04 |
| Волгоград (844)278-03-48 | Магнитогорск (3519)55-03-13 | Санкт-Петербург (812)309-46-40 | Чебоксары (8352)28-53-07 |
| Вологда (8172)26-41-59 | Москва (495)268-04-70 | Саратов (845)249-38-78 | Челябинск (351)202-03-61 |
| Воронеж (473)204-51-73 | Мурманск (8152)59-64-93 | Севастополь (8692)22-31-93 | Череповец (8202)49-02-64 |
| Екатеринбург (343)384-55-89 | Набережные Челны (8552)20-53-41 | Симферополь (3652)67-13-56 | Чита (3022)38-34-83 |
| Иваново (4932)77-34-06 | Нижний Новгород (831)429-08-12 | Смоленск (4812)29-41-54 | Якутск (4112)23-90-97 |
| Ижевск (3412)26-03-58 | Новокузнецк (3843)20-46-81 | Сочи (862)225-72-31 | Ярославль (4852)69-52-93 |
| Иркутск (395)279-98-46 | Ноябрьск (3496)41-32-12 | Ставрополь (8652)20-65-13 | |
| Казань (843)206-01-48 | Новосибирск (383)227-86-73 | Сургут (3462)77-98-35 | |
| Россия +7(495)268-04-70 | Киргизия +996(312)-96-26-47 | Казахстан +7(7172)727-132 | |