

Резервный источник питания AD1120FR

Технические характеристики

По вопросам продаж и поддержки обращайтесь:

Алматы (7273)495-231
Ангарск (3955)60-70-56
Архангельск (8182)63-90-72
Астрахань (8512)99-46-04
Барнаул (3852)73-04-60
Белгород (4722)40-23-64
Благовещенск (4162)22-76-07
Брянск (4832)59-03-52
Владивосток (423)249-28-31
Владикавказ (8672)28-90-48
Владимир (4922)49-43-18
Волгоград (844)278-03-48
Вологда (8172)26-41-59
Воронеж (473)204-51-73
Екатеринбург (343)384-55-89
Иваново (4932)77-34-06
Ижевск (3412)26-03-58
Иркутск (395)279-98-46
Казань (843)206-01-48

Россия +7(495)268-04-70

Калининград (4012)72-03-81
Калуга (4842)92-23-67
Кемерово (3842)65-04-62
Киров (8332)68-02-04
Коломна (4966)23-41-49
Кострома (4942)77-07-48
Краснодар (861)203-40-90
Красноярск (391)204-63-61
Курск (4712)77-13-04
Курган (3522)50-90-47
Липецк (4742)52-20-81
Магнитогорск (3519)55-03-13
Москва (495)268-04-70
Мурманск (8152)59-64-93
Набережные Челны (8552)20-53-41
Нижний Новгород (831)429-08-12
Новокузнецк (3843)20-46-81
Ноябрьск (3496)41-32-12
Новосибирск (383)227-86-73

Киргизия +996(312)-96-26-47

Омск (3812)21-46-40
Орел (4862)44-53-42
Оренбург (3532)37-68-04
Пенза (8412)22-31-16
Петрозаводск (8142)55-98-37
Псков (8112)59-10-37
Пермь (342)205-81-47
Ростов-на-Дону (863)308-18-15
Рязань (4912)46-61-64
Самара (846)206-03-16
Саранск (8342)22-96-24
Санкт-Петербург (812)309-46-40
Саратов (845)249-38-78
Севастополь (8692)22-31-93
Симферополь (3652)67-13-56
Смоленск (4812)29-41-54
Сочи (862)225-72-31
Ставрополь (8652)20-65-13
Сургут (3462)77-98-35

Казахстан +7(7172)727-132

Сыктывкар (8212)25-95-17
Тамбов (4752)50-40-97
Тверь (4822)63-31-35
Тольятти (8482)63-91-07
Томск (3822)98-41-53
Тула (4872)33-79-87
Тюмень (3452)66-21-18
Ульяновск (8422)24-23-59
Улан-Удэ (3012)59-97-51
Уфа (347)229-48-12
Хабаровск (4212)92-98-04
Чебоксары (8352)28-53-07
Челябинск (351)202-03-61
Череповец (8202)49-02-64
Чита (3022)38-34-83
Якутск (4112)23-90-97
Ярославль (4852)69-52-93

AD1120FR Series

120Watts, Single Output, Rdy



Dimensions: 121(D)x75(W)x110(H) mm

Features

- High power density
- Universal input range
- Convection cooled
- RoHS compliance
- 3 year warranty
- Great reliability
- DIN Rail / Wall bracket mounting solution
- Over voltage protection
- Overload protection
- Short circuit protection
- Redundant & Rdy Function

Safety Standards



EN 60950 (Marking)



UL 508 (Certificate)
CSA 22.2 (Certificate)

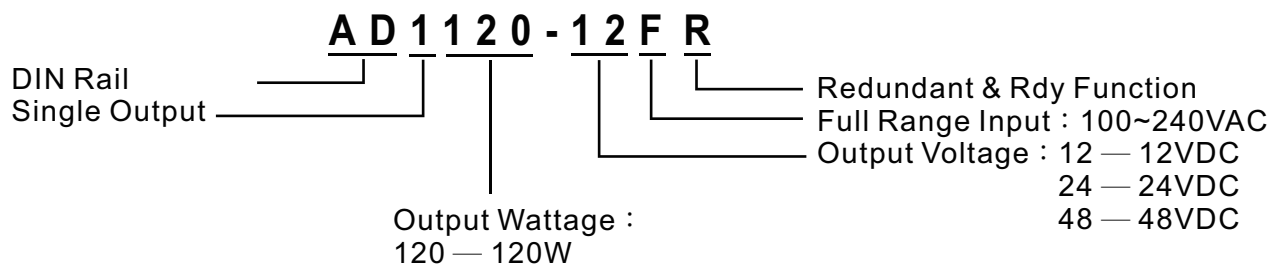
EMC Standards

EN55011	Class B
EN55022	Class B
EN61000-4-2	Level 3
EN61000-4-3	Level 3
EN61000-4-4	Level 3
EN61000-4-5	Level 3
EN61000-4-6	Level 3
EN61000-4-8	Level 3
EN61000-4-11	Level 3

Model List

Model	O/P Voltage Adjustment	Loading Min.	Loading Rated	Loading Max.	Ripple Noise	Load Reg.	Efficiency	Over Voltage Protection
AD1120-12FR	+12VDC±10%	0A	10A	10A	100mVp-p	2%	80%	15~17VDC
AD1120-24FR	+24VDC±10%	0A	5A	5A	150mVp-p	1%	81%	27~30VDC
AD1120-48FR	+48VDC±10%	0A	2.5A	2.5A	250mVp-p	1%	83%	52~56VDC

Model Encoding



AD1120FR Series

120Watts, Single Output, Rdy

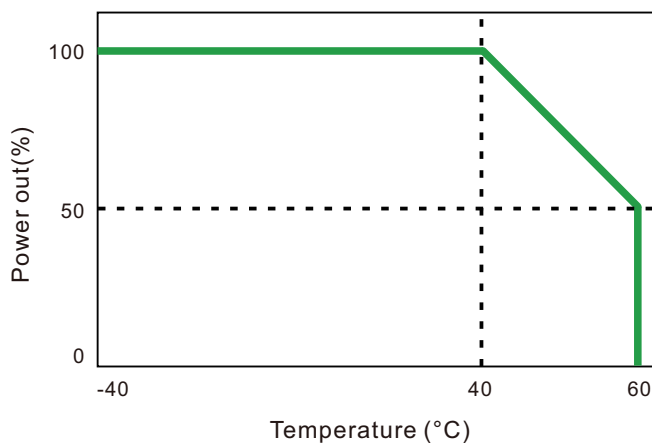
Specification

General		
Switching Frequency	85kHz	
Isolation Voltage	Input-Output	3000VAC /4242VDC
	Input-FG	1500VAC/2121VDC
	Output-FG	500VAC/ 710VDC
Isolation Resistance	100MΩ when Input-Output @500VDC	
Operating Temperature	-40°C~40°C ambient	
Derating	2.5% per degree from 40°C to 60°C	
Storage Temperature	-40°C to +85°C	
Relative Humidity	5%~95% RH, Non-condensing.	
Temperature Coefficient	±0.04% of output voltage per °C	
MTBF	60,000hrs Min. Per MIL-HDBK-217F, 25°C GB	
Attitude During Operation	2000m	
Installation position	Vertical	
Vibration	Random Vibration, 10~500Hz. 3 axise	
Input		
Input Voltage	100~240VAC/120~370VDC	
Input Frequency	47~63Hz	
Inrush Current (cold start)	22A/115VAC 44A/230VAC	
Rated Input Current	2.5A Max., Vi=100~240VAC	
Leakage Current	Input-output 0.25mA, Input-FG 3.5mA, Vi=250VAC	
Output		
Output Voltage accuracy	±1%	
Minimun Load	0%	
Line Regulation	±1%, measuring from low line to high line rated load	
Load Regulation	See model list, measuring from 20% to 100% of rated load at 230VAC input	
Voltage Trim Range	±10%	
Rated Continuous Loading	10A@12VDC, 5A@24VDC, 2.5A@48VDC	
Hold Up Time	35mS Min., Full load@230VAC.	
Turn On Time	1300mS	
Rise Time	13mS	
Fall Time	25mS	

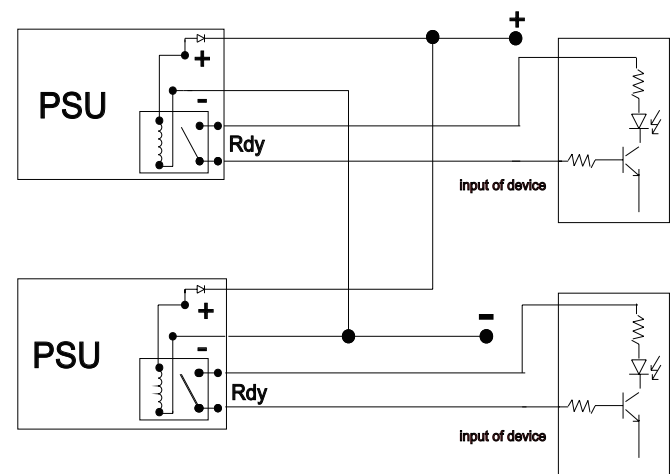
Specification

Output		
Transient Response	Recovery Time	2mS, Load change 50% to 100%
	Voltage Deviation	5%, Load change 50% to 100%
Efficiency		See model list, measuring at rated load and 230VAC input
Ripple and Noise		See model list, measuring by using a 0.1 μ F/630V metalize capacitor and a 47 μ F electrolytic capacitor parallel on the test point, at rated load and 230VAC input.
Protection		
Input Fuse		3.15A/250V
Internal Surge Load Protection		Varistor, IEC6100-4-5
Degree of Protection		IP20
Short Circuit Protection		Autorecovery
Over Voltage Protection		Autorecovery
Rated Over Load Protection		160~200%
Overload protection		Power limited

Derating Curve

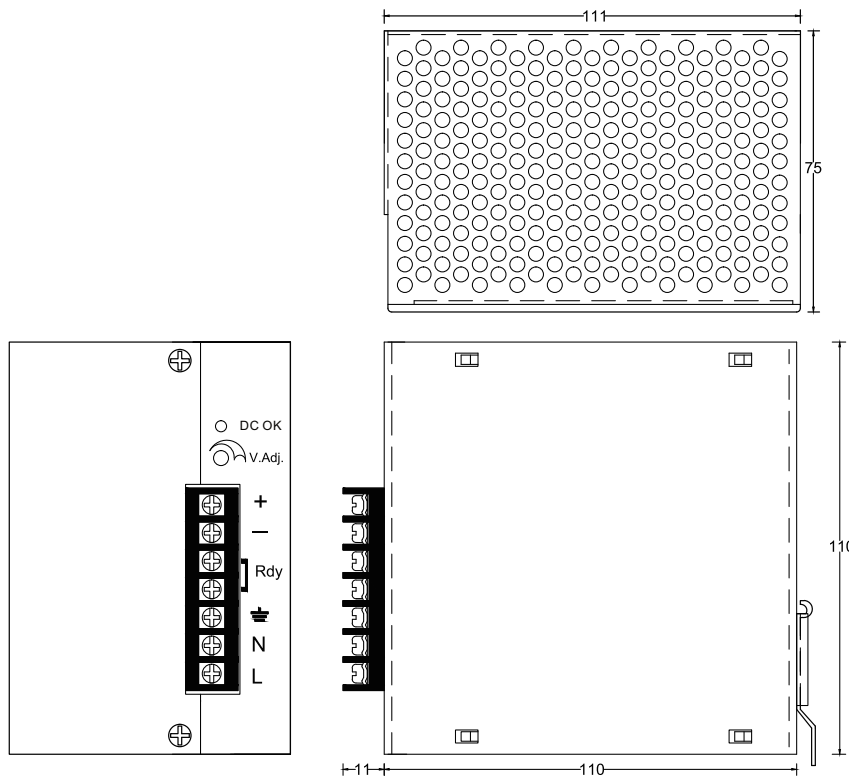


Rdy & Redundant connection



P.S. Please adjust output voltage of each unit as close as possible to balance the loading.

Mechanical Details

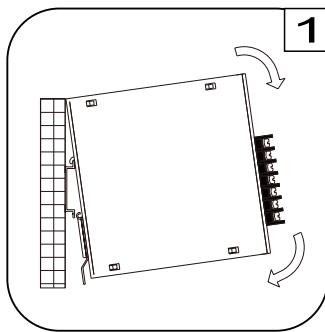


Case No.	AD120	
Dimensions	121(D)x75(W)x110(H)mm	
Case Material	Metal	
Weight	AD1120-12FR	687.4 g
	AD1120-24FR	681 g
	AD1120-48FR	674.1 g

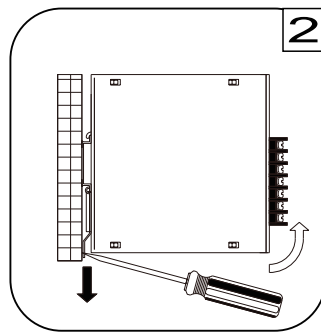
Terminal Allocation

Designation	Description
DC OK	Green LED Indicator
V Adj.	O/P Voltage adjustment
+	Output Positive
-	Output Negative
Rdy	DC OK signal(Short)
⊕	Earth
N	Input Neutral
L	Input Line

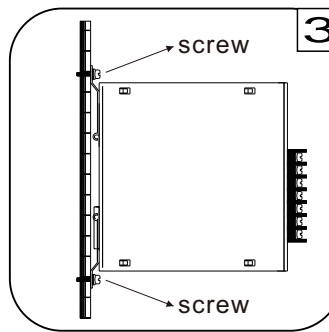
Installation instruction



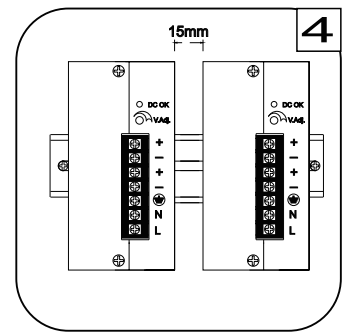
1 Place the top of the AD1120FR rail mount over the top of the DIN rail. Tilt the bottom of the AD1120F toward the DIN rail until it snaps into place.



2 To remove the AD1120FR from the DIN rail, use a flathead screwdriver to pull down the bottom of the rail mount and tilt it away from the DIN rail.



3 To install AD1120FR on wall/plate, loosening screws on mounting bracket and pull both brackets out first. Then re-screwing the two brackets with screws onto wall/plate.



4 The left housing of AD1120FR is designed as a heat sink, please keeping a minimum distance of 15mm from each other.

По вопросам продаж и поддержки обращайтесь:

Алматы (7273)495-231	Калининград (4012)72-03-81	Омск (3812)21-46-40	Сыктывкар (8212)25-95-17
Ангарск (3955)60-70-56	Калуга (4842)92-23-67	Орел (4862)44-53-42	Тамбов (4752)50-40-97
Архангельск (8182)63-90-72	Кемерово (3842)65-04-62	Оренбург (3532)37-68-04	Тверь (4822)63-31-35
Астрахань (8512)99-46-04	Киров (8332)68-02-04	Пенза (8412)22-31-16	Тольятти (8482)63-91-07
Барнаул (3852)73-04-60	Коломна (4966)23-41-49	Петрозаводск (8142)55-98-37	Томск (3822)98-41-53
Белгород (4722)40-23-64	Кострома (4942)77-07-48	Псков (8112)59-10-37	Тула (4872)33-79-87
Благовещенск (4162)22-76-07	Краснодар (861)203-40-90	Пермь (342)205-81-47	Тюмень (3452)66-21-18
Брянск (4832)59-03-52	Красноярск (391)204-63-61	Ростов-на-Дону (863)308-18-15	Ульяновск (8422)24-23-59
Владивосток (423)249-28-31	Курск (4712)77-13-04	Рязань (4912)46-61-64	Улан-Удэ (3012)59-97-51
Владикавказ (8672)28-90-48	Курган (3522)50-90-47	Самара (846)206-03-16	Уфа (347)229-48-12
Владимир (4922)49-43-18	Липецк (4742)52-20-81	Саранск (8342)22-96-24	Хабаровск (4212)92-98-04
Волгоград (844)278-03-48	Магнитогорск (3519)55-03-13	Санкт-Петербург (812)309-46-40	Чебоксары (8352)28-53-07
Вологда (8172)26-41-59	Москва (495)268-04-70	Саратов (845)249-38-78	Челябинск (351)202-03-61
Воронеж (473)204-51-73	Мурманск (8152)59-64-93	Севастополь (8692)22-31-93	Череповец (8202)49-02-64
Екатеринбург (343)384-55-89	Набережные Челны (8552)20-53-41	Симферополь (3652)67-13-56	Чита (3022)38-34-83
Иваново (4932)77-34-06	Нижний Новгород (831)429-08-12	Смоленск (4812)29-41-54	Якутск (4112)23-90-97
Ижевск (3412)26-03-58	Новокузнецк (3843)20-46-81	Сочи (862)225-72-31	Ярославль (4852)69-52-93
Иркутск (395)279-98-46	Ноябрьск (3496)41-32-12	Ставрополь (8652)20-65-13	
Казань (843)206-01-48	Новосибирск (383)227-86-73	Сургут (3462)77-98-35	
Россия +7(495)268-04-70	Киргизия +996(312)-96-26-47	Казахстан +7(7172)727-132	